

SKY-FRAME

PIVOT FACTSHEET.

EN



SKY-FRAME

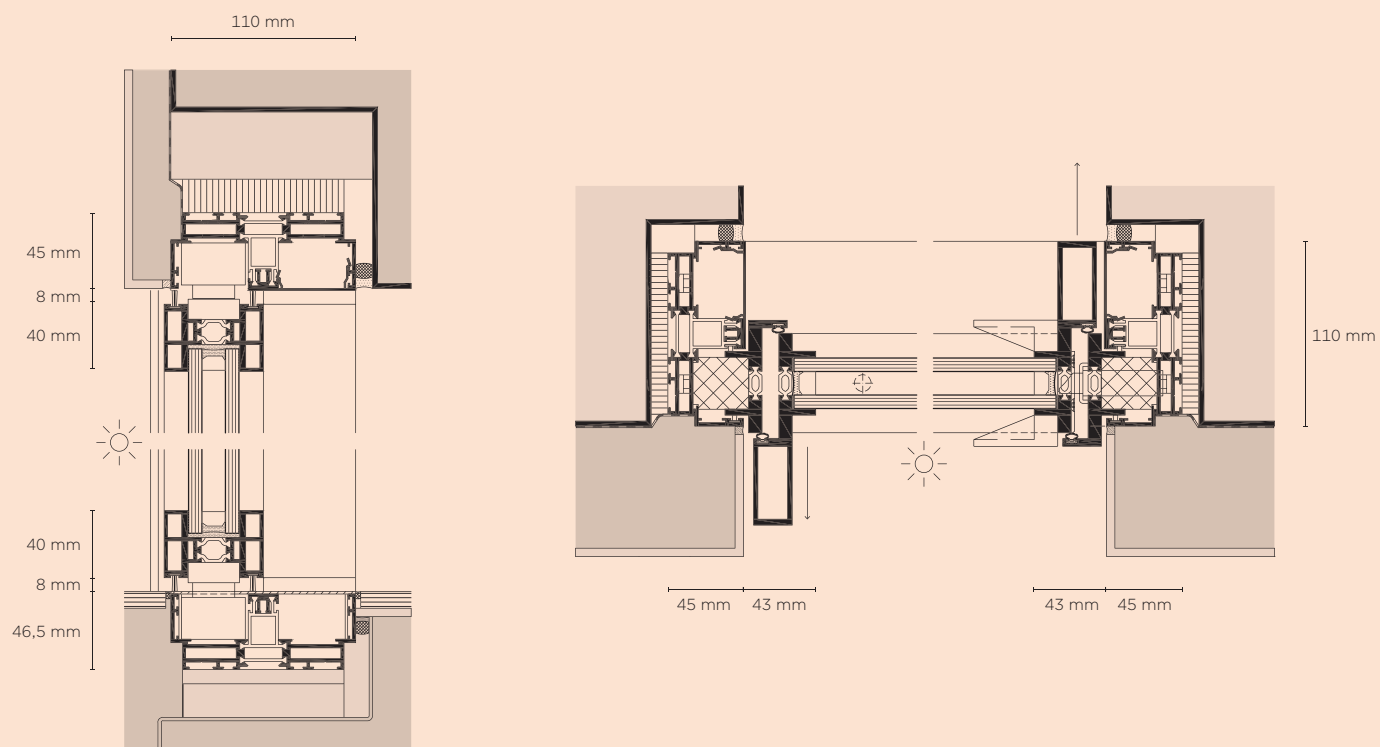
SKY-FRAME PIVOT

SYSTEM

The Pivot system turns opening a door into a creative act: the doors swing around the asymmetrically located axis, creating a temporarily spatial structure. This could be the reason why Le Corbusier preferred these kinds of doors. With just a gentle push on the comfortable handle on the long side of the frame the door delicately glides open. The electromechanical multipoint locking system guarantees safety and security.

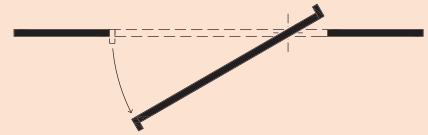
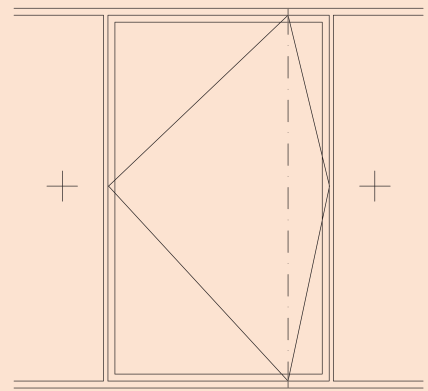
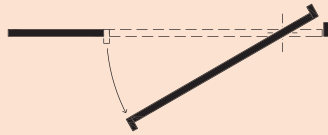
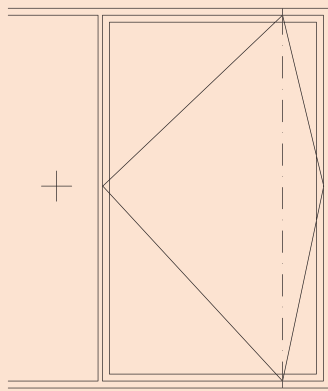
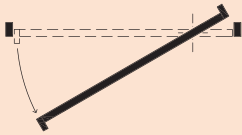
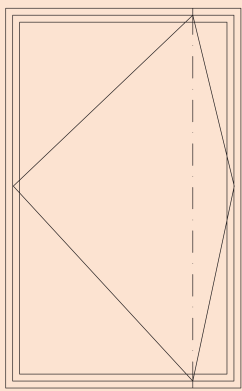
Vertical section

Floor and ceiling connection
(scale 1:5)



SKY-FRAME PIVOT

OPENING OPTIONS



SKY-FRAME PIVOT

DETAILS

Properties	Sky-Frame 2		Sky-Frame 3	
U-value Calculation <small>(width x height 2m x 3m) as per standard</small>	SIA 331	EN 10077	SIA 331	EN 10077
Thermal insulation value <small>(value Ug = 1.0)</small>	Ud =	1.42 W/m ² K	1.6 W/m ² K	
Thermal insulation value <small>(value Ug = 0.5)</small>	Ud <		0.87 W/m ² K	1.18 W/m ² K
Door wing <small>width</small>		0.75m - 2.5m	0.75 - 2.5m	
Door leaf <small>height</small>		2m - 4.5m	2m - 4.5m	
Leaf weight <small>(max.)</small>		450kg	450kg	
Insulating glass		30mm (2-IV)	54mm (3-IV)	
Fittings		Multipoint locking system (electromechanical)		
Sealing principle		Vertical: stopper seals Horizontal: brush seals/brush seal + floor seal		
Pivot point arrangement <small>(standard / min.)</small>		1/5 width / <small>(min. 220mm)</small>	1/5 width / <small>(min. 240mm)</small>	
Driving rain impermeability to class		npd	npd	
Air permeability to class		npd	npd	
Wind resistance to		npd	npd	
Anti-fall protection category		npd	npd	
Noise protection to		npd	npd	

Features

Sky-Frame Guard:
Connection to burglar alarm:
- Deadbolt monitoring
- Position monitoring on request

Special features

Sky-Frame Pivot on request

SKY-FRAME