

MHB SL30-ISO®-PLUS Profile system

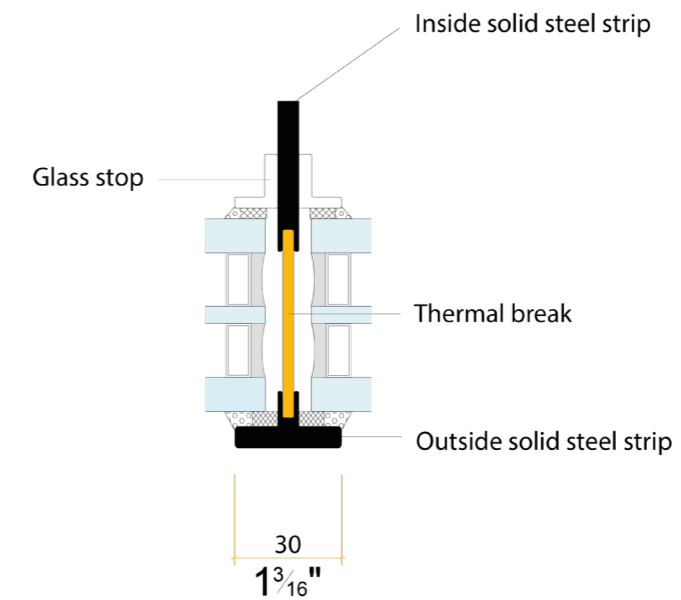
30 mm / 1 3/16" width | 100+ Years Service Life Prediction | Solid steel profiles



Overview

Our SL30-ISO®-PLUS profiles allow for triple glazing, providing even better insulation and added strength. These thermally broken profiles have all the advantages of our solid steel SL30-ISO® profiles - they are ultra-slim at 1 3/16", have the same exceptional durability, and offer unrivaled design freedom - but are extra deep.

- Patented profile system with unique 30 mm / 1 3/16" sightlines, providing unrivaled design freedom.
- MHB is the exclusive developer and manufacturer of all its steel profile systems, allowing for optimal adaptability and quality control.
- Outstanding thermal insulation certified according to European NEN-EN ISO standards and American NFRC standards
- Extreme durability with a predicted service life of over 100 years.
- Customizable true divided or simulated divided glass partitioning and glass stops.
- Create harmony with identical detailing for all configurations in your project.
- Available in any RAL color or actual precious metals such as bronze for a unique and durable finish.



Unrivaled freedom to design

MHB is the exclusive developer and manufacturer of all its patented profile systems, which allows us to improve and adapt our products on a project-specific basis. If you have any project-specific needs or wishes, please let us know and we will work with you to create the optimal solution:

- Custom detailing.
- Custom oversized window & door dimensions.
- Automated systems.