

MHB Glass retention & partition

True & Simulated divided lites | 20 mm / 13/16" | L-shaped | Triangular | Putty seal

L-shaped aluminum glass stop



Invisible fixing.
Suitable for: interior and exterior glazing.
Width dimensions: 15 -19 -23 mm.

L-shaped steel glass stop



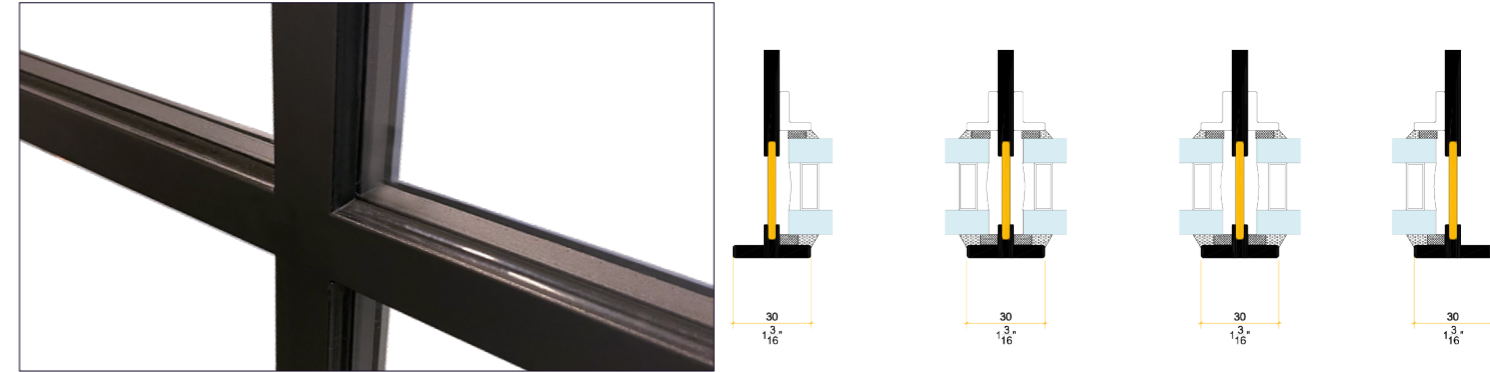
Visible fixing by means of countersunk head screw.
Suitable for: Interior glazing.
Width dimensions: variable from 15 mm, depending on glass thickness.

Triangular aluminum glass stop



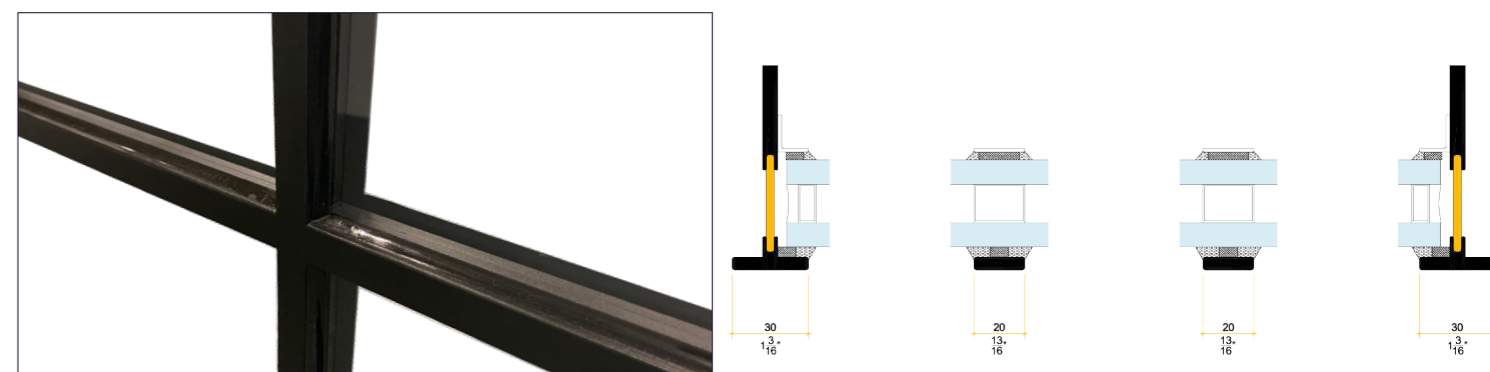
Invisible fixing.
Suitable for: interior and exterior glazing.
Width dimensions: 15 -19 -23 mm.

TDL - True Divided Lites

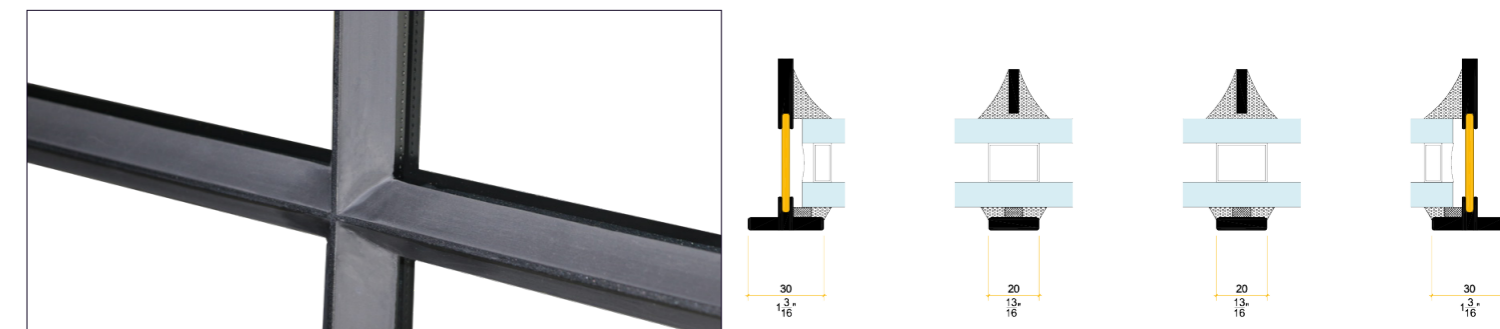


The traditional way to divide a large window is to divide it into smaller areas. Each surface contains its own piece of glass. All MHB glass stops fit into this system, including elastic putty seal.

SDL - Simulated Divided Lites



MHB Folded tray system:
Steel tray system with a sightline of 20 mm with visible fixing by means of countersunk head screw.



MHB Elastic putty seal:
Classic look in combination with Classic-ISO and Classic-ISO -PLUS system with 20 mm sightline.